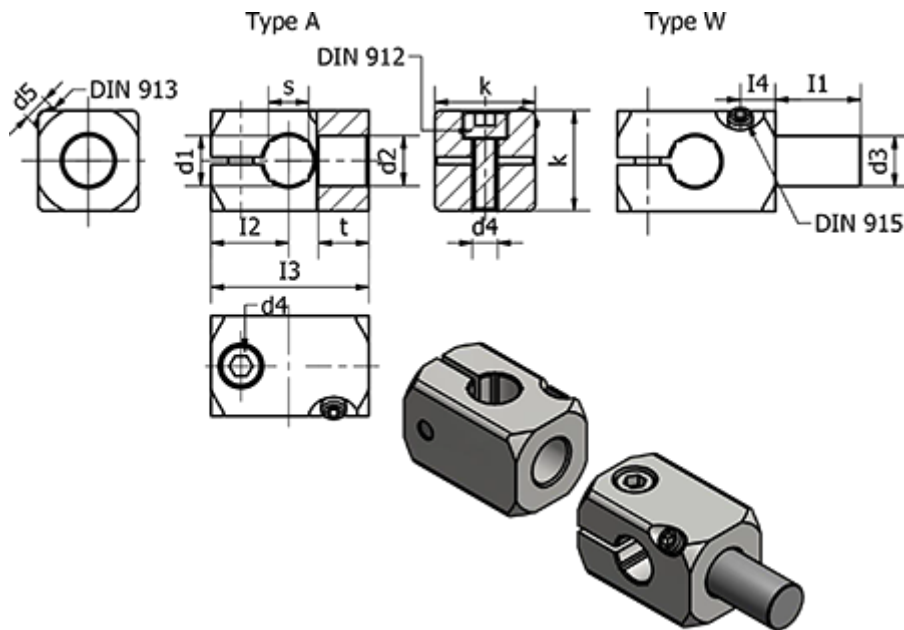


Article number: 20476B10B10AMT

Description: E+G T-clamp mounting - GN 476-B10-B10-A-MT

Measures



| | | | |
|------------------------------------|--------|------------|-------|
| Clamping kit for d4 = GN 511-M5-20 | l3 | = 31.5 | |
| d1 | = 10 | l4 | = 7 |
| d2 | = 10 | k | = 20 |
| d3 | = | s | = 8 |
| d4 | = M5 | t | = 10 |
| d5 | = M5 | Weight (g) | = 150 |
| l1 | = 17 | | |
| l2 | = 15.5 | | |